

Application Note-S-Series Power Optimizer Specifications and Connections

Version History

- Version 1.4 June 2022
 - Added **Comparing the S1200 and P1100 Power Optimizers**
- Version 1.3 Oct 2021
 - Updated the **Maximum short circuit current** value for the S440
- Version 1.2 Aug 2021
 - Updated to refer to S-Series Power Optimizers
- Version 1.1 Mar 2021
- Version 1.0 Feb 2021 – Initial release

The S-Series Power Optimizer

This application note describes product differences between the S-Series and P-Series Power Optimizers. This note also provides guidelines for connecting the S-Series Power Optimizer to a PV module, and for connecting S-Series Power Optimizers to each other in a string.

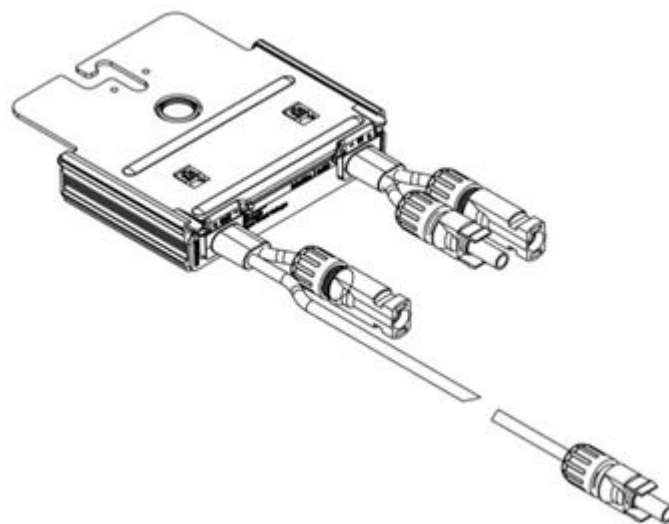


Figure 1: S-Series Power Optimizer



NOTE

S-Series Power Optimizers with Part Numbers that match - SXXX-XXXXX.

Comparing the S440 and P401 Power Optimizers

Specification	S440	P401	Unit
Absolute maximum input voltage (Voc at lowest temperature)	60	60	V
Maximum short circuit current (Isc)	14.5	11.75	A
Input Wire Length	0.1 / 0.32	0.16 / 0.52	m / ft
Output Wire Length	(+)2.3, (-)0.1 / (+)7.54, (-)0.32	1.2 / 3.9	m / ft

Comparing the S1200 and P1100 Power Optimizers

Specification	S1200	P1100	Unit
Absolute maximum input voltage (Voc at lowest temperature)	125	125	V
Maximum short circuit current (Isc)	15.0	14.1	A
Input Wire Length	0.1 / 0.32 or 1.6 / 4.26	0.16 / 0.52	m / ft
Output Wire Length	(+)5.3, (-)0.1 / 17.38, (-)0.32	2.4 / 7.8	m / ft

Refer to the respective product datasheet for all other specifications.

Comparing the S-Series and P-Series Power Optimizer Connector Wires

One improvement in the S-Series Power Optimizer over the P-Series Power Optimizer is the difference in length between the Plus and Minus output connector wires. The Plus output connector wire in the S-Series Power Optimizer is long, while the Minus output connector wire is short. The arrangement positions the connection between the two wires close to the Power Optimizer. This prevents the connector from dangling on the roof and prevents the connector from being exposed during wet weather.

S-Series Power Optimizer Connector Wires

P-Series Power Optimizer Connector Wires

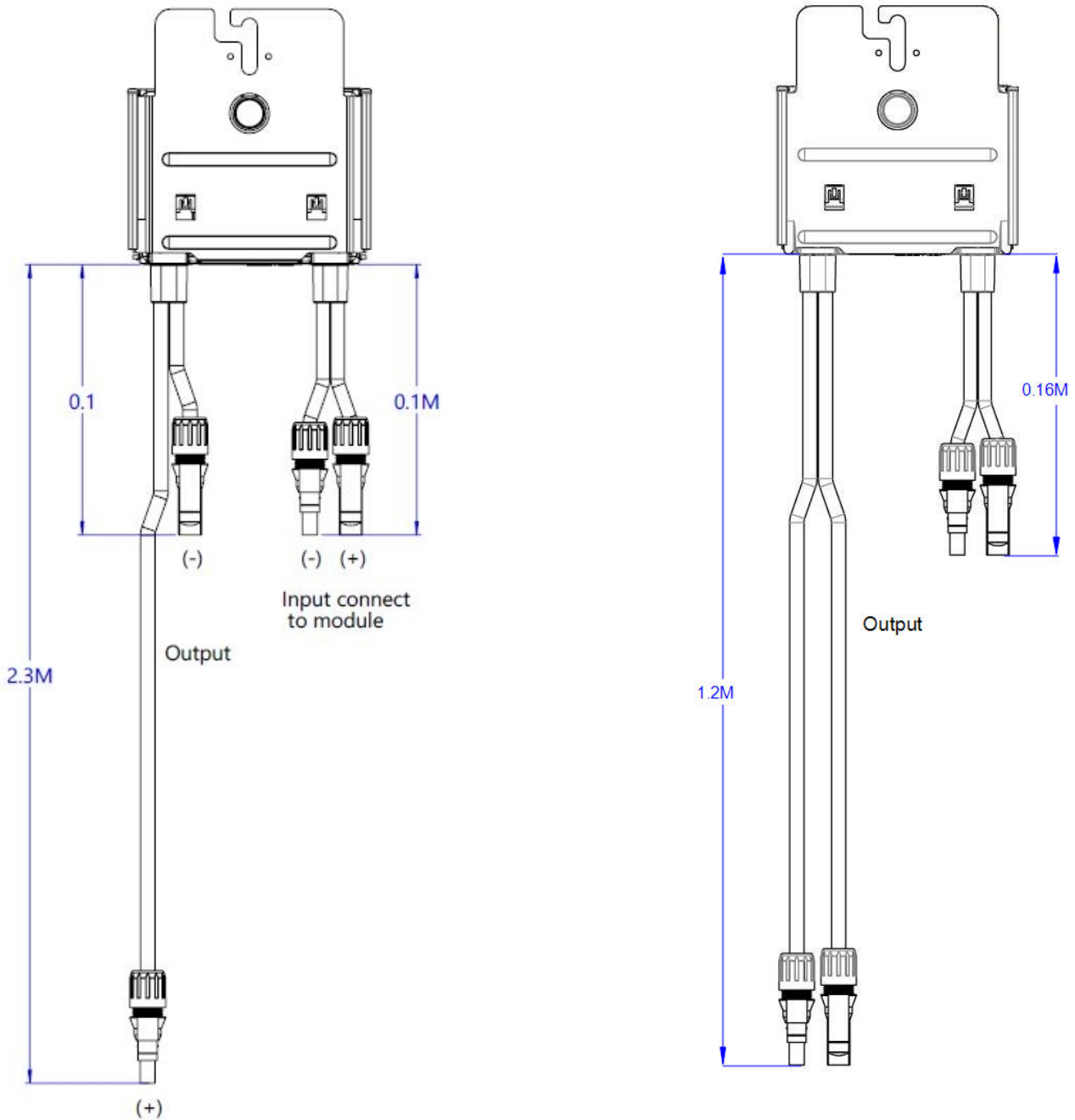


Figure 2: Comparing the S-Series and P-Series Power Optimizer Input and Output Wires and Dimensions.

Connecting the S-Series Power Optimizer to a PV Module

Connect S-Series Power Optimizers to a PV module by connecting the PV module output connectors to the Power Optimizer input connectors as indicated in the steps in this section and in *Figure 2 S-Series Input and Output Wires and Dimensions* schematic drawing.

→ To connect an S-Series Power Optimizer to a PV module

1. Connect the Plus (+) output connector of the module to the Plus (+) input connector of the Power Optimizer.
2. Connect the Minus (-) output connector of the module to the Minus (-) input connector of the Power Optimizer.
3. Repeat the connection steps for each S-Series Power Optimizer.

Connecting S-Series Power Optimizers in Strings

This section guides you through the process of connecting S-Series Power Optimizers in strings.

→ To connect S-Series Power Optimizers to each other in Strings

1. Extend the Plus (+) output connector of the first Power Optimizer towards the Minus (-) output connector of the second Power Optimizer and insert the Plus (+) output connector into the Minus (-) output connector to make the connection.
2. Connect the rest of the Power Optimizers in the string in the same manner.

Refer to SolarEdge inverter installation manual for all installation guidelines.



NOTE

Figure 3 illustrates the input wiring connection pattern between S-Series Power Optimizers and a PV module, and output wiring connections between Power Optimizers in a string. Refer to the label on the product to identify the plus and minus input and output connectors.

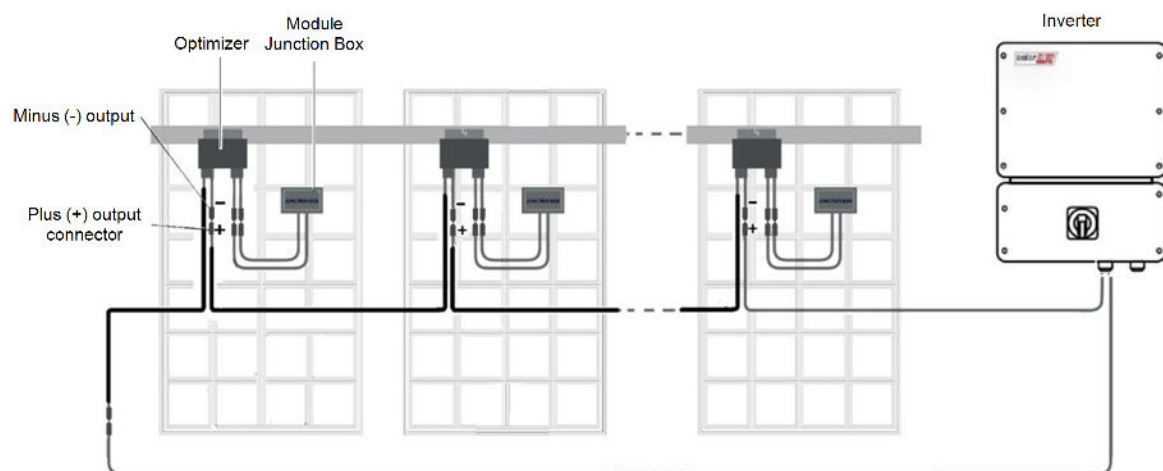


Figure 3: S-Series Input and Output Wire Connection Schematic.



NOTE

The S-Series Power Optimizer can be installed with single and split junction box modules.